

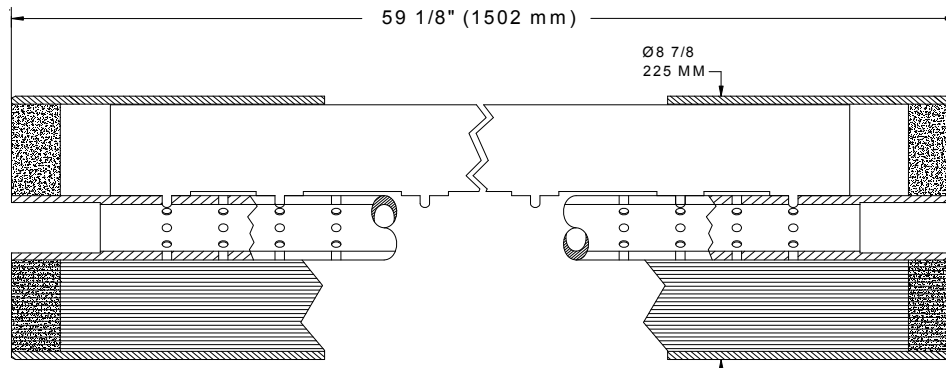
## Capillary Ultrafiltration Module

## HYDRAcap® 60-E

<b>Performance<sup>1</sup></b>	Filtrate Flow: Filtrate Turbidity: Virus removal Bacteria removal	11 – 30 gpm (2.7 – 6.8 m <sup>3</sup> /h) ≤ 0.07 NTU ≥ 4 log ≥ 4 log
<b>Type</b>	Configuration: Membrane Polymer: Nominal Membrane Area: Fiber Dimensions: Pore Size:	Capillary Ultrafiltration Module Hydrophilic Polyethersulfone 500 ft <sup>2</sup> (46 m <sup>2</sup> ) ID 0.031" (0.8 mm), OD 0.055" (1.4 mm) 0.02 micron
<b>Application Data<sup>2</sup></b>	Typical Filtrate Flux Range: Maximum Applied Feed Pressure: Maximum Transmembrane Pressure: Maximum Backwash Transmembrane Pressure: Instantaneous Chlorine Tolerance: Instantaneous Hydrogen Peroxide Tolerance: Maximum Chlorine Exposure: Maximum Instantaneous Feed Turbidity: Maximum Operating Temperature: pH Operating Range: Cleaning pH Range: Operating Mode:	35 – 85 gfd (59 – 145 l/m <sup>2</sup> /h) 300 psig (20.7 bar) 20 psig (1.4 bar) 20 psig (1.4 bar) 100 ppm <sup>3</sup> 200 ppm <sup>3</sup> 200,000 ppm-hrs 100 NTU 104 °F (40 °C) 4.0 - 10.0 1.5 – 13.0 Inside to Outside Filtration Direct flow or Crossflow

### Typical Process Conditions

Backwash Flux:	100 – 150 gfd (170 – 255 l/m <sup>2</sup> /h)
Backwash Duration:	30 – 60 seconds
Backwash Frequency:	20 – 60 minutes
Chemical Enhanced Backwash Frequency:	0 – 4 times per day
Chemical Enhanced Backwash Duration:	1 – 30 minutes
Disinfection Chemicals:	NaOCl, H <sub>2</sub> O <sub>2</sub> , ClO <sub>2</sub> or NH <sub>2</sub> Cl
Cleaning Chemicals:	HCl, H <sub>2</sub> SO <sub>4</sub> , NaOH or Citric Acid



<b>Shipping Weight<sup>4</sup>, lbs (kg)</b>	<b>Wet Weight, lbs (kg)</b>
71 (32.3)	145 (65.8)

### Certifications: CA-DHS Verification

<sup>1</sup> Typical module performance for most feedwaters.

<sup>2</sup> The limitations shown here are for general use. The values may be more conservative for specific projects to ensure the best performance and longest life of the membrane.

<sup>3</sup> For 15 minutes or less.

<sup>4</sup> Weight stated is shipping weight inside a bag including 2L of either 0.95% solution of sodium bisulfite or 30% calcium chloride preservative. It should be noted that weights of each element may vary by ~5%.

Hydranautics believes the information and data contained herein to be accurate and useful. The information and data are offered in good faith, but without guarantee, as conditions and methods of use of our products are beyond our control. Hydranautics assumes no liability for results obtained or damages incurred through the application of the presented information and data. It is the user's responsibility to determine the appropriateness of Hydranautics' products for the user's specific end uses.

12/10/15