

## Submerged Membrane Microfiltration Module

	HYDRAsub <sup>®</sup> - MBR	HSM500-ES
<b>Module Specifications</b>	Configuration: Fiber Orientation: Filtrate Flow : Membrane Polymer: Pore Size (nominal): Fiber Dimensions: Number of Elements in Module: Nominal Membrane Area per Module: Permeate Connections: Air Connections: Guide Pipe Connections: Typical Module Dry Weight: Typical Module Wet Weight:	Submerged Membrane Vertical Bi-directional Polyvinylidene Flouride (PVDF) 0.4 µm OD 0.11" (2.8 mm) 20 (25 m <sup>2</sup> each) 5382 ft <sup>2</sup> (500 m <sup>2</sup> ) Two- 2" FNPT Connections Two- 2" FNPT Connections To fit 2" pipe 1166 lbs (530 kg) 2449 lbs (1111 kg)
<b>Operating Specifications</b>	Maximum Trans Membrane Pressure (Vacuum): Maximum Backwash Trans Membrane Pressure : Maximum Instantaneous Chlorine Concentration: Maximum Chlorine Tolerance: MLSS Range: Operating Temperature Range: Feed Water pH Range: Cleaning pH Range: Operating Mode: Aerator Pressure Loss @ Maximum Air Flow (excluding hydraulic head):	-6 psig (-0.41 bar) 2 psig (0.14 bar) 5,000 ppm <sup>a</sup> 742,000 ppm-hrs <sup>b</sup> 8,000 - 12,000 mg/L <sup>c</sup> 41 - 104°F (5 - 40° C) 6.0 - 8.0 1.0 - 11.0 Outside to Inside 0.58 psig (0.04 bar)
<b>Typical Process Conditions</b>	Operating Filtrate Flux <sup>†</sup> : Peak Operating Flux <sup>†</sup> : Nominal Air Flow: Air Flow Range: Chemically Enhanced Backwash (CEB) Flux: CEB Chemicals: Clean In Place (CIP) Flux: CIP Chemicals:	4-20 gfd (7-34 l/mh) 30 gfd (51 l/mh) 90 scfm (152 Nm <sup>3</sup> /hr) 69 -103 scfm (117-175 Nm <sup>3</sup> /hr ) 2.4 gfd (4 l/mh) NaOCl <sup>d</sup> 2.4 gfd (4 l/mh) NaOCl or Citric Acid <sup>d</sup>

† -Depends on temperature and application

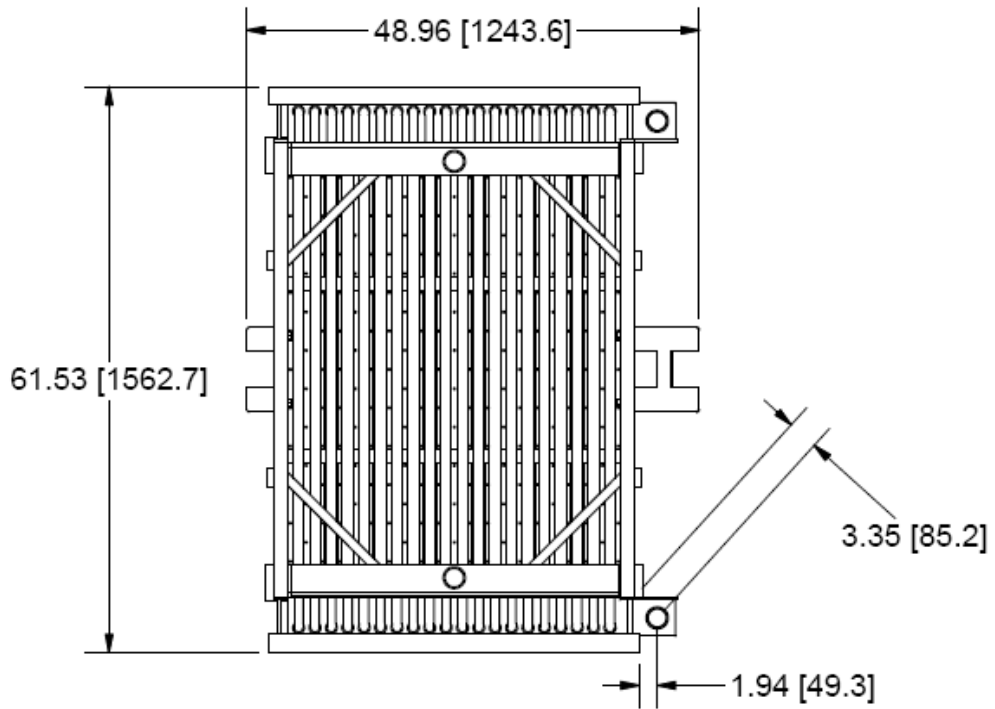
a -For a maximum of 2 hours

b- Maximum chemical tolerance for estimated life span of membrane

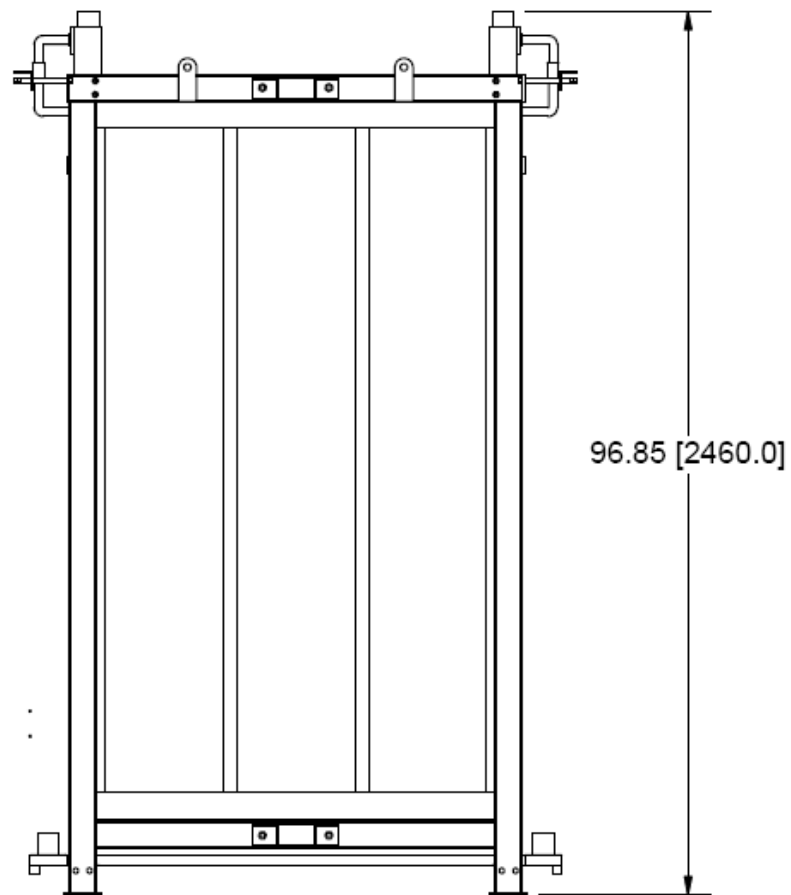
c -In membrane tank at steady state for municipal wastewater

d- Refer to operating manual for chemical concentrations and cleaning frequencies

Hydranautics believes that the information and data contained herein to be accurate and useful. The information and data are offered in good faith, but without guarantee, as conditions and methods of use of our products are beyond our control. Hydranautics assumes no liability for results obtained or damages incurred through the application of the presented information and data. It is the user's responsibility to determine the appropriateness of Hydranautics' products for the user's specific end uses.



**Top View**



**Side View**

Note: Cage is made of stainless steel 304. Connections are in English units. For more detailed drawings, contact Hydranautics.

4/17/2017

Hydranautics Corporate: 401 Jones Road, Oceanside, CA 92058  
 1-800-CPA-PURE Phone: 760-901-2500 Fax: 760-901-2578 info@Hydranautics.com